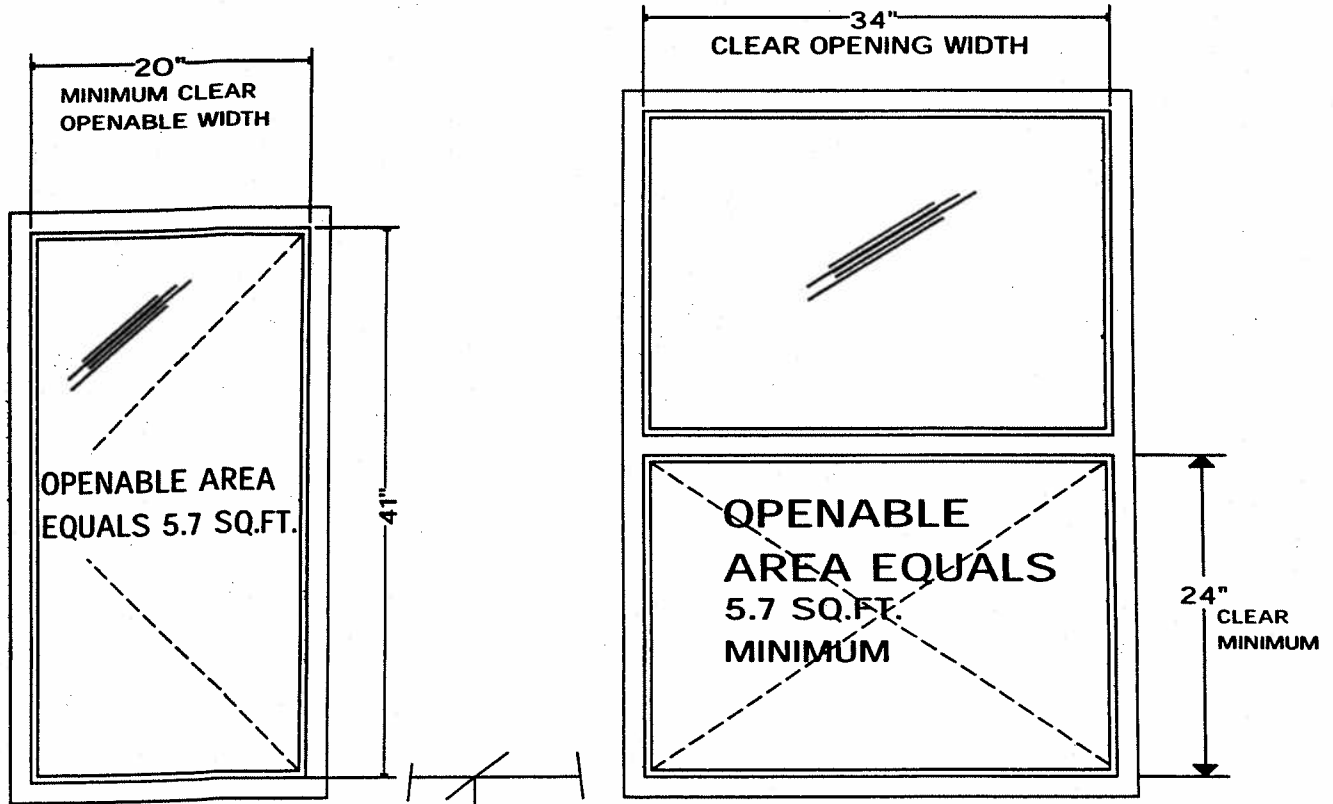




Residential Bedroom Egress Windows

This construction detail is accepted as meeting the minimum standard of construction as based upon the 1997 UBC requirements.



MINIMUM SIZE WINDOW FOR A 20 INCH CLEAR WIDTH

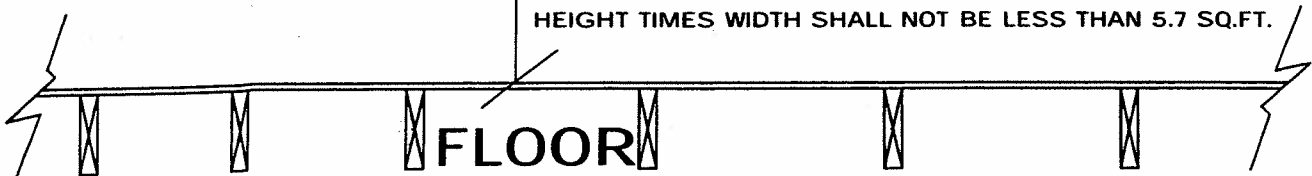
MINIMUM SIZE WINDOW FOR A 24 INCH CLEAR HEIGHT

44" MAX FROM FLOOR TO FINISH SILL OF WINDOWS IN BEDROOMS

UBC SEC. 310.4 EVERY SLEEPING ROOM BELOW THE FOURTH STORY SHALL HAVE AT LEAST ONE OPERABLE WINDOW OR DOOR APPROVED FOR EMERGENCY ESCAPE.

EGRESS WINDOWS SHALL HAVE A MINIMUM NET CLEAR OPENING AREA OF 5.7 SQ.FT. THE MINIMUM HEIGHT SHALL BE 24 INCHES. THE MINIMUM WIDTH SHALL BE 20 INCHES.

HEIGHT TIMES WIDTH SHALL NOT BE LESS THAN 5.7 SQ.FT.

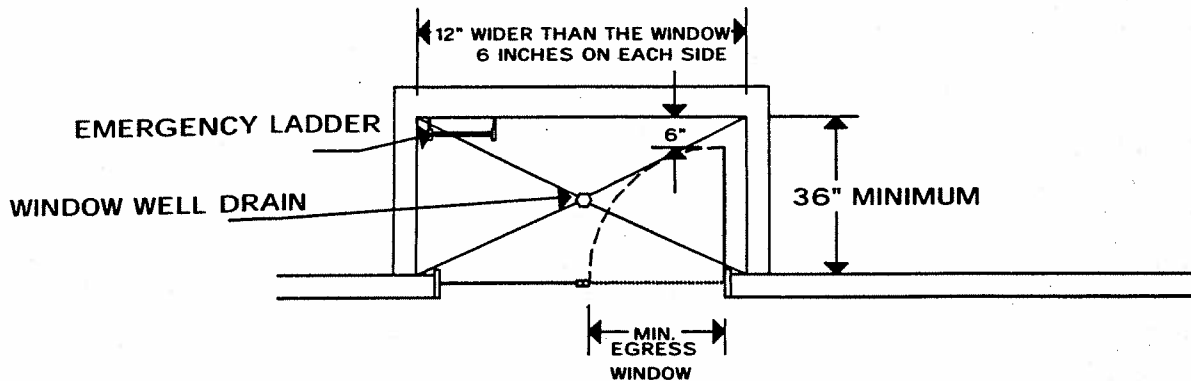


#6 2/1/01

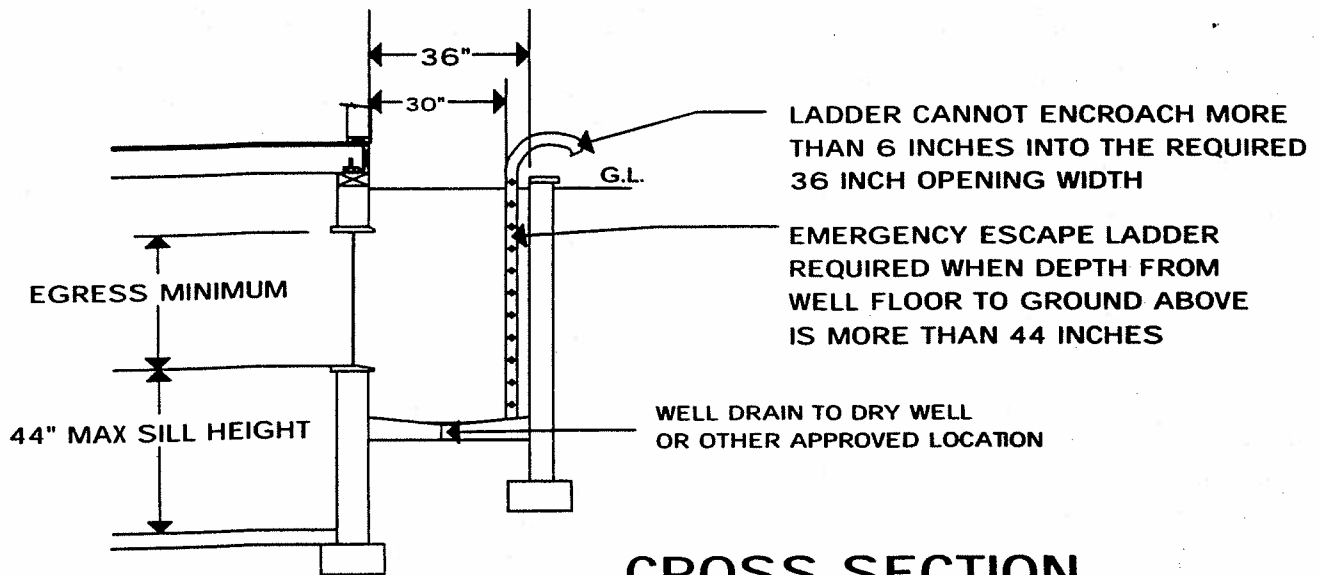


Residential Window Well Details

This construction detail is accepted as meeting the minimum standard of construction as based upon the 1997 UBC requirements.



PLAN VIEW



CROSS SECTION

WINDOWS WELLS USED FOR EMERGENCY EGRESS FROM BASEMENTS OR FLOORS LOWER THAN GRADE SHALL MEET THE FOLLOWING SIZE REQUIREMENTS FROM UBC SECTION 310.4

1. THE CLEAR HORIZONTAL DIMENSION SHALL ALLOW THE WINDOW TO BE FULLY OPENED AND PROVIDE A MINIMUM ACCESSIBLE NET CLEAR OPENING OF 9 SQUARE FEET, WITH A MINIMUM DIMENSION OF 36 INCHES.
2. WINDOW WELLS WITH A VERTICAL DEPTH OF MORE THAN 44 INCHES SHALL BE EQUIPPED WITH A PERMANENTLY AFFIXED LADDER OR STAIRS THAT ARE ACCESSIBLE WITH THE WINDOW IN A FULLY OPENED POSITION. THE LADDER OR STAIR SHALL NOT ENCROACH INTO THE REQUIRED DIMENSIONS OF THE WINDOW WELL BY MORE THAN 6 INCHES

DWG #2 - 1/2/01