



WALLA WALLA COUNTY

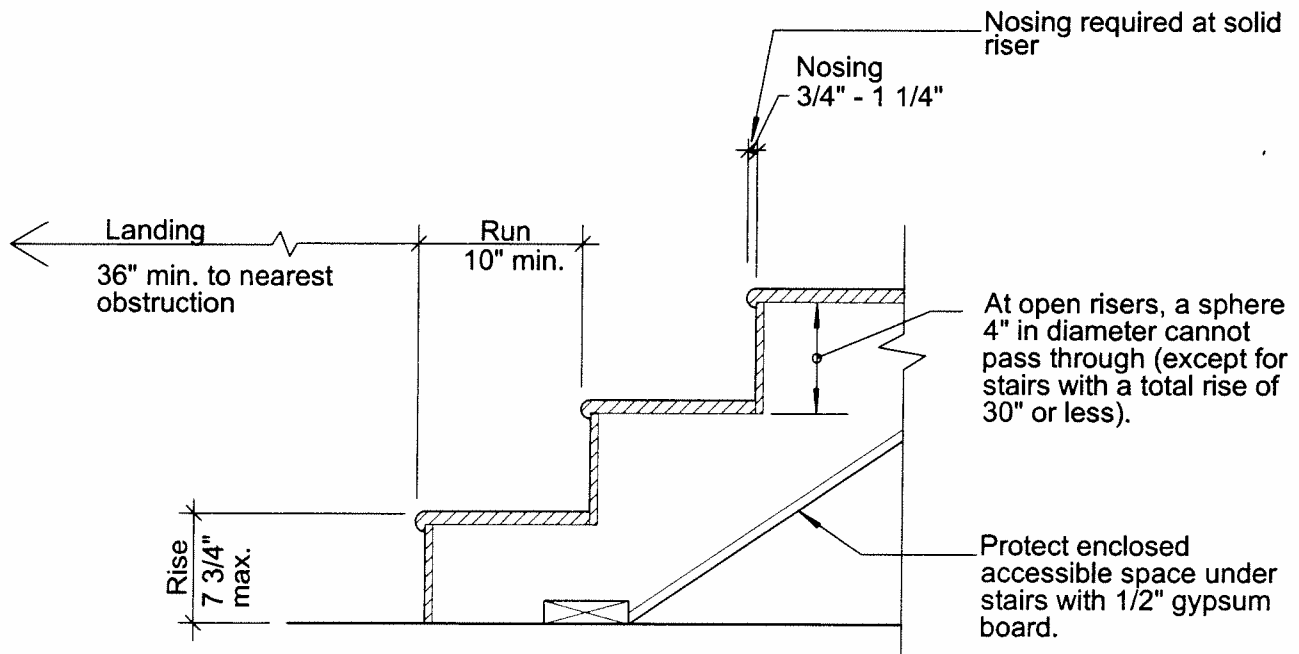
Community Development Department

310 W. Poplar • Walla Walla, WA 99362-2865 • Telephone: (509) 524-2610
Fax: (509) 524-2630 • Website: www.co.walla-walla.wa.us

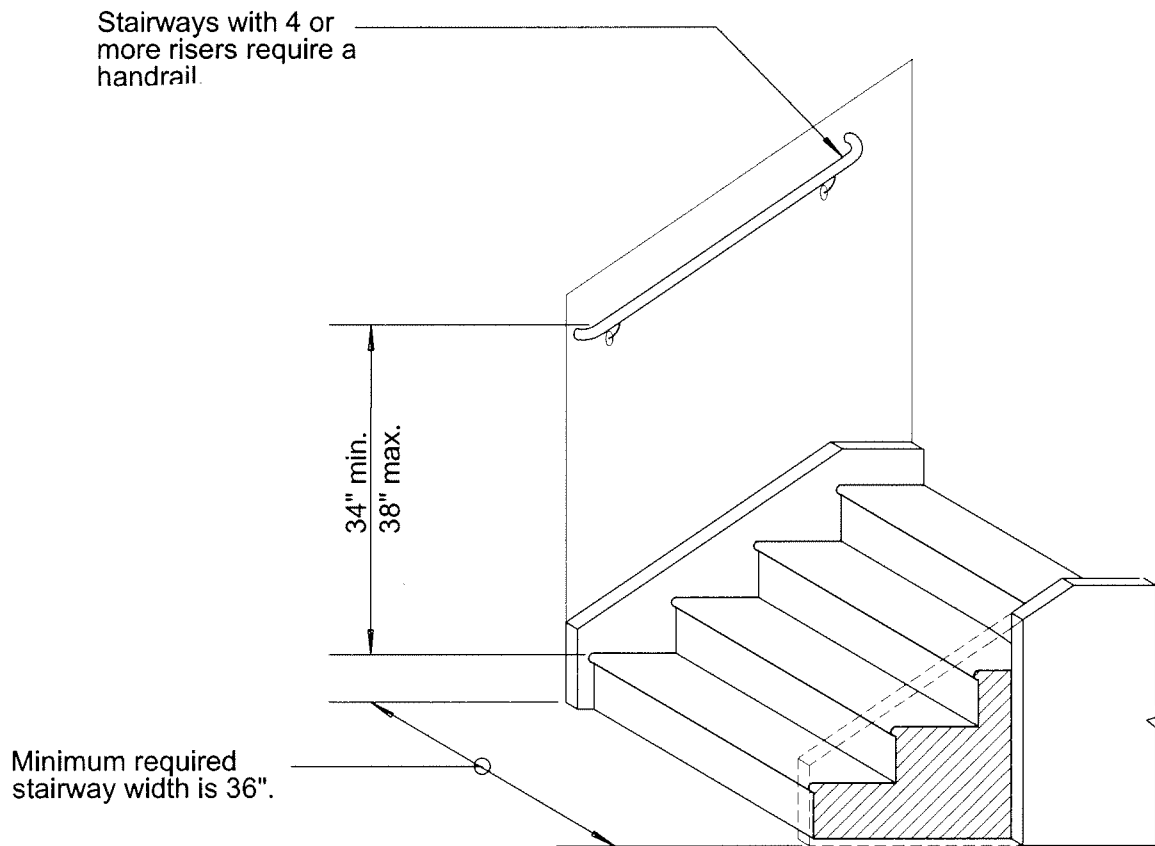
STAIRS / HANDRAILS / GUARDS

2006 International Residential Code (IRC) Section 311

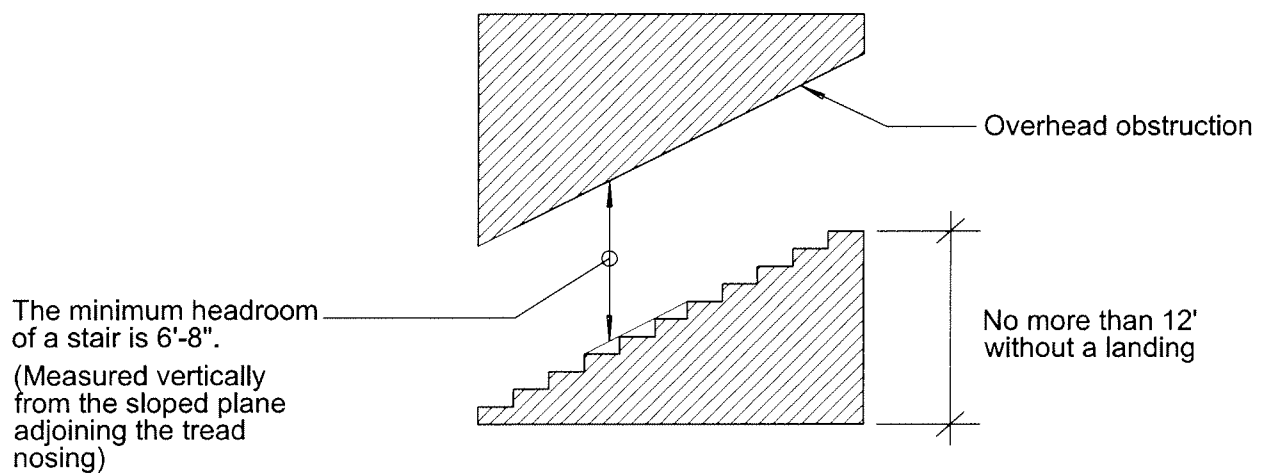
- These regulations apply to stairways for one- and two-family dwellings and townhouses subject to the 2006 International Residential Code (IRC). Refer to the 2006 International Building Code (IBC) for requirements from stairs in other conditions.
- For exceptions related to the construction of circular, spiral, or winding stairways, see R311.5.3.
- The largest rise or run within any flight of stairs is not to exceed the smallest by more than $\frac{3}{8}$ ".
- A landing extending the width of the stair and measuring a minimum of 36" in the direction of travel is required at the top and bottom of every stairway.
- A floor landing is not required at the top of an interior flight of stairs, provided a door does not swing over the stairs.
- Handrails are required for stairways with four or more risers.
- Interior and exterior stairs must be illuminated with an artificial light source at each landing or bottom of each landing without traversing any steps. Exterior stairways must be controlled from inside the dwelling unit unless continuously illuminated or automatically controlled.



Typical Stair Section



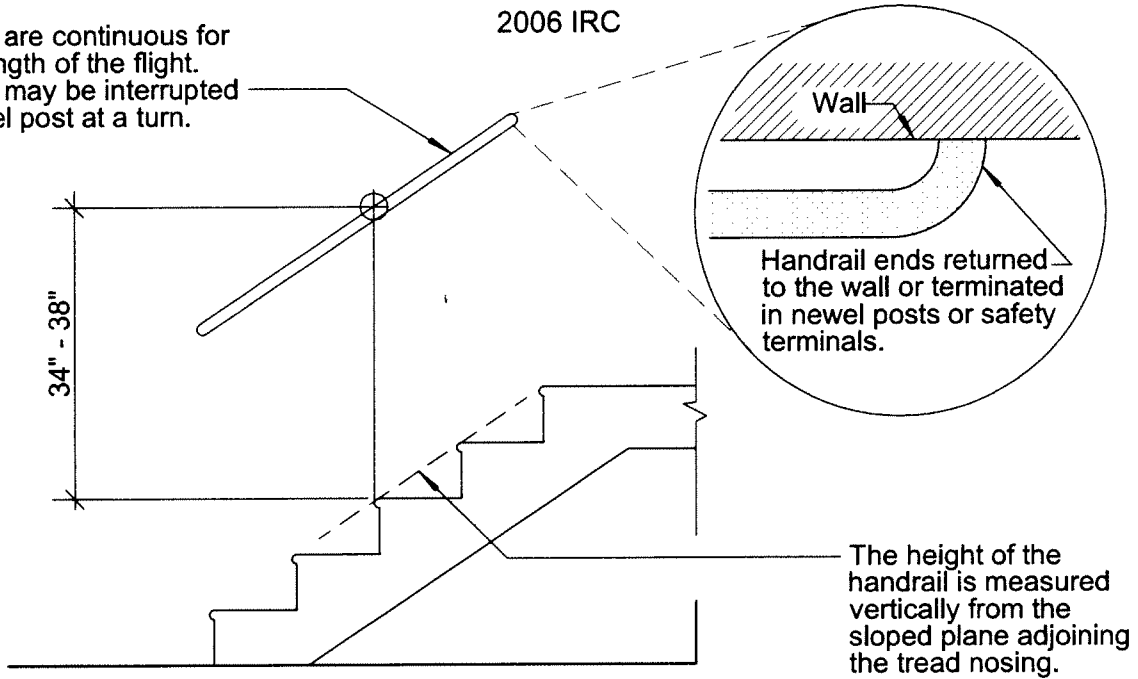
Typical Stair Elevation



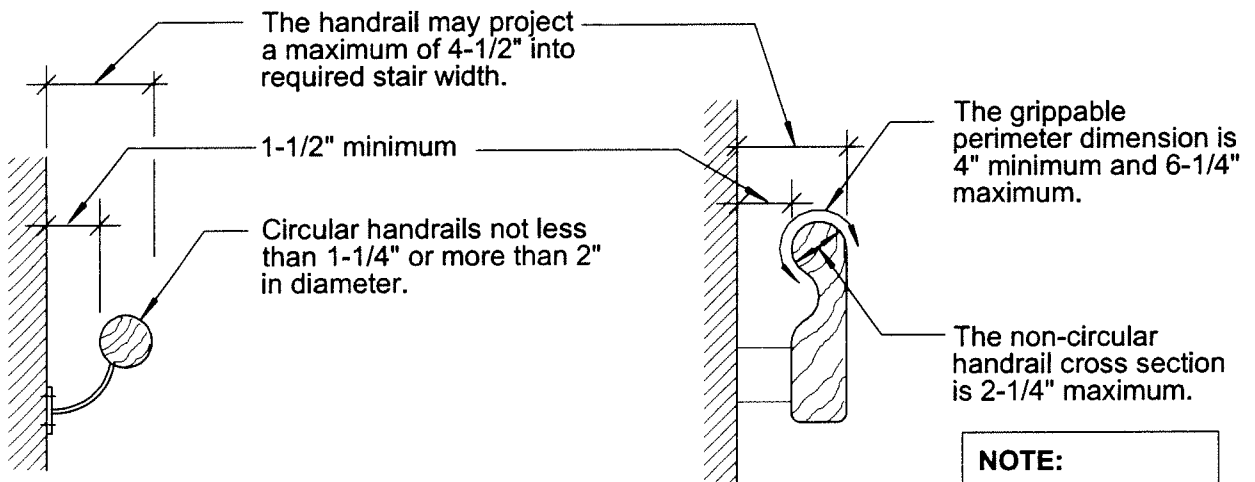
HANDRAILS

2006 IRC

Handrails are continuous for the full length of the flight. Handrails may be interrupted by a newel post at a turn.



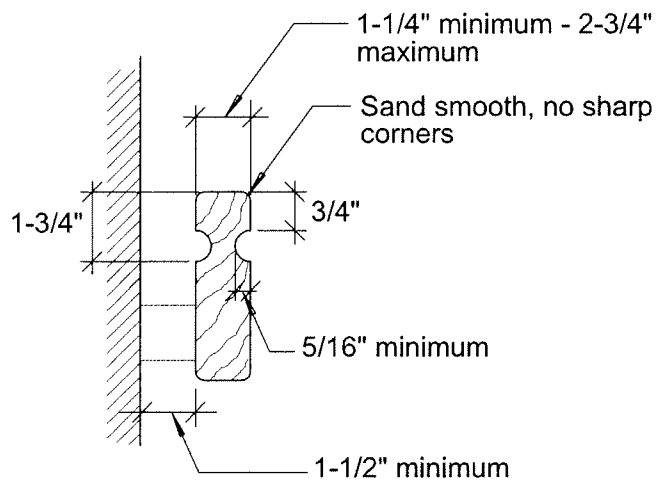
Typical Handrail Elevation
R311.5.6



Type I Handrails
R311.5.6.3

NOTE:

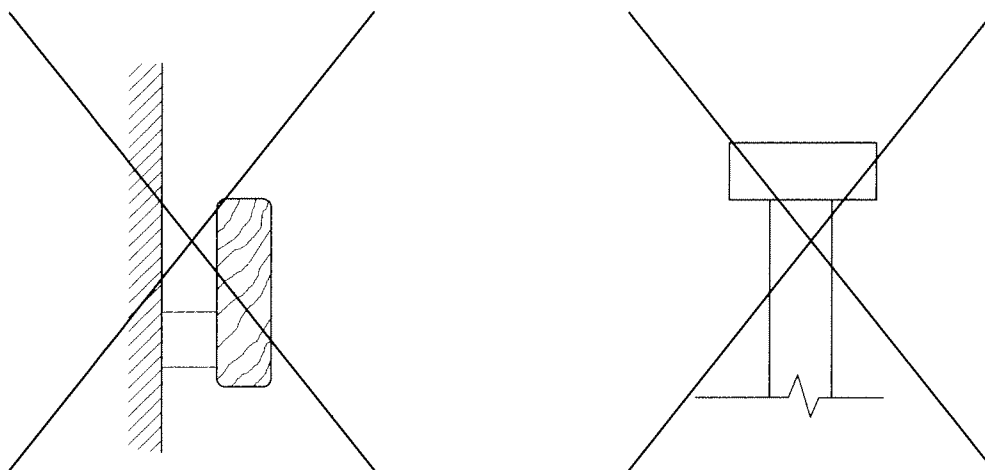
See page 2 for additional handrail grip shapes.



Type II Handrails

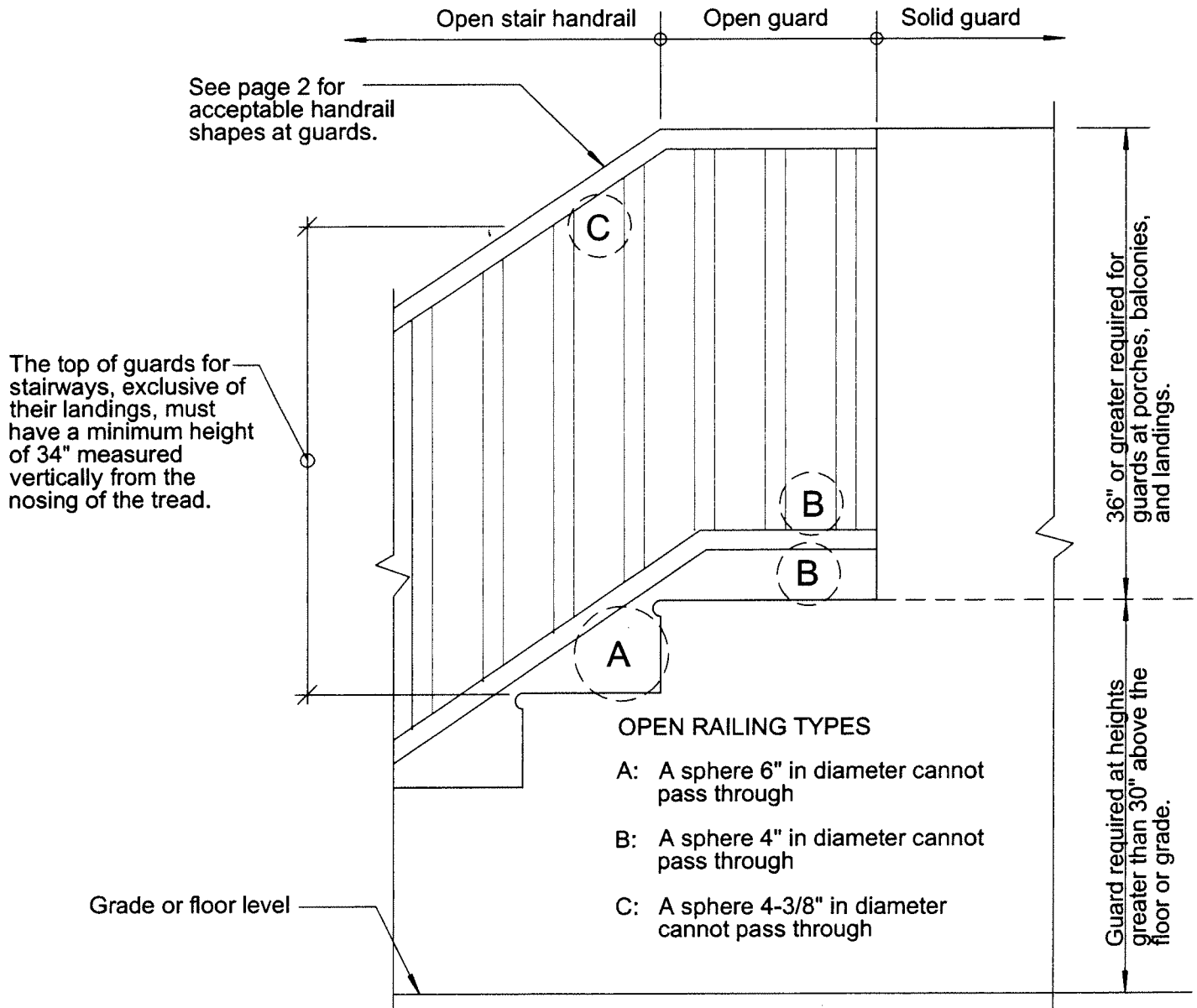
R311.5.6.3

(At handrails with a perimeter greater than 6-1/4")



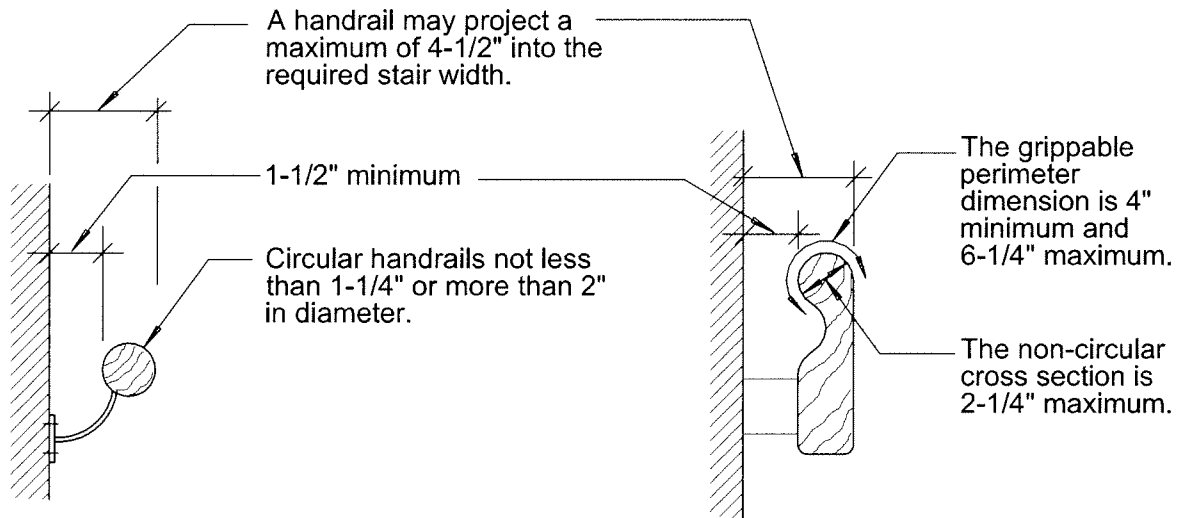
Unacceptable Handrails

GUARDS

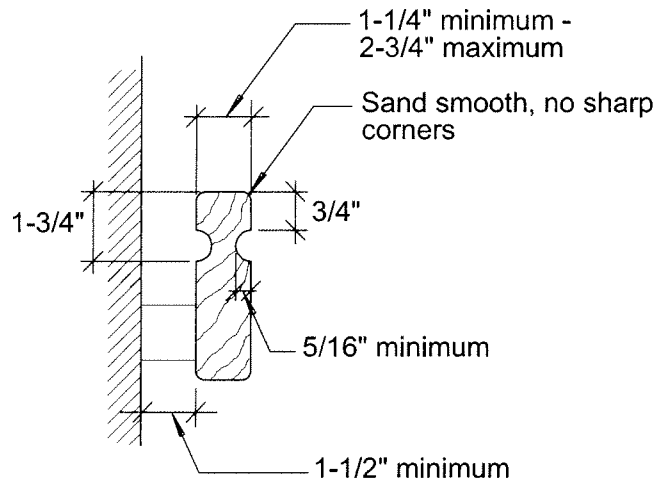


**Guard Elevation
R312**

Acceptable Handrail Shapes at Guards



Type I Handrails R311.5.6.3



Type II Handrails R311.5.6.3

(At handrails with a perimeter greater than 6-1/4")